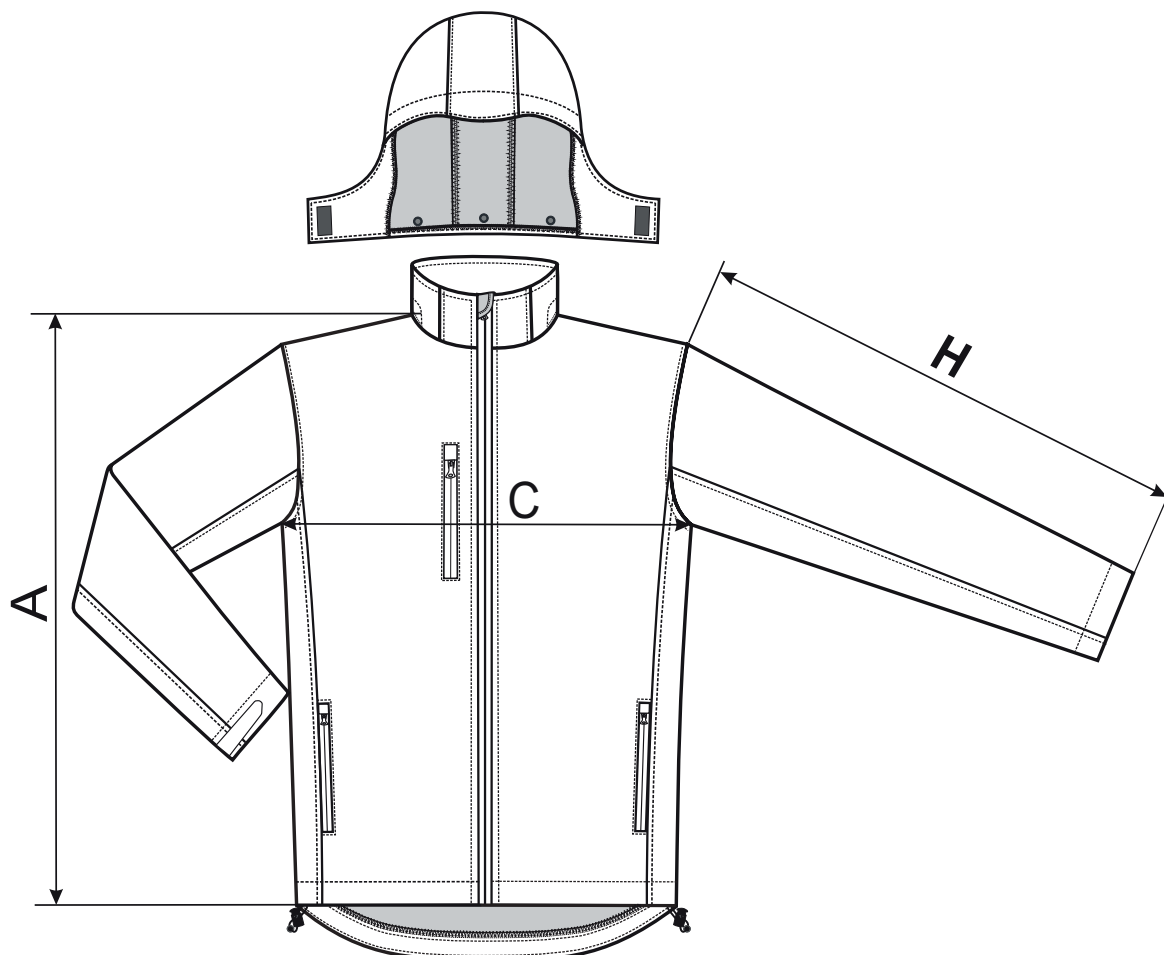


# 535 Performance

## SIZE SPECIFICATION [cm]

size	6	8	10	12
A	49	55	61	67
C	38	41	44	47
H	43	47	52	57

All size specifications listed are in cm. Accepted tolerance of up to  $\pm 5\%$ .



STANDARD  
100  
PG020 153249  
OETI

